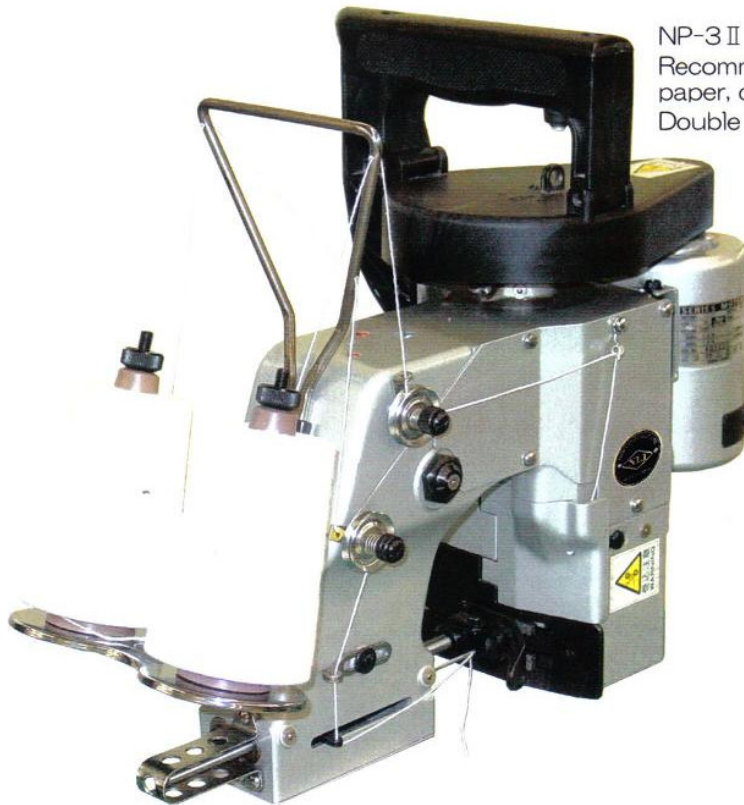




Sewing machine Division of Fujioka Newlong Industrial Co., Ltd. factory was granted ISO9001 Certifications on October 18, 1999.

PORTABLE BAG CLOSER

NP-3 II NP-7 A



NP-3 II

Recommended for bags of all materials, like jute, paper, cotton, PP, etc.

Double thread chain stitch ensures tightest closure.



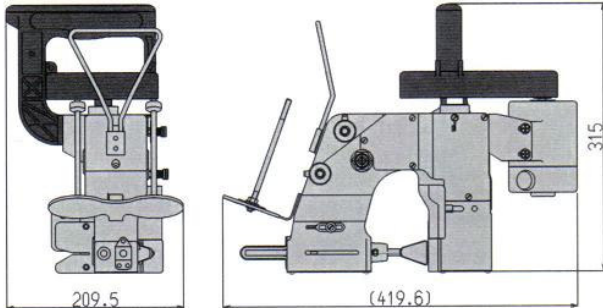
NP-7A

For minimum cost closing of all kinds of bags. Single thread chain stitch, with simple mechanism for easier maintenance. New type NP-7A is provided with a plastic handle and an auto-lubrication.

NEWLONG INDUSTRIAL CO., LTD.

MM-003

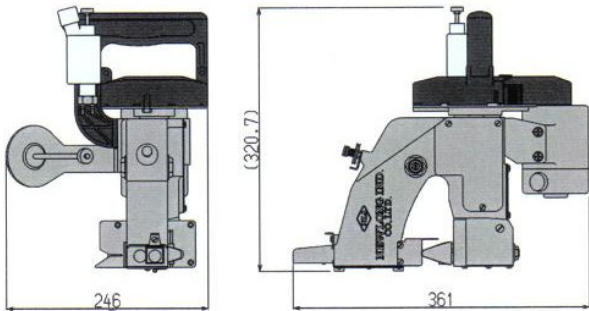
NP-3II



■ SPECIFICATIONS

Model	NP-3II
Capacity (r.p.m)	1,650±100
Stitch Range (mm)	8.5 (fixed)
Seam	Double thread chain stitch
Thread Cutting	Automatic
Drive Motor (w)	90,1Ph (specity voltage)
Net Weight (kg)	6.0 (14lbs) with thread
Gross Weight (kg)	Approx. 9
Measurement (cft)	Approx. 2.5

NP-7A



■ SPECIFICATIONS

Model	NP-7A
Capacity (r.p.m)	1,700~1,900
Stitch Range (mm)	8.5 (fixed)
Seam	Single Thread Chain Stitch
Thread Cutting	Automatic
Drive Motor (w)	90,1Ph (specity voltage)
Net Weight (kg)	5 (13lbs) with thread
Gross Weight (kg)	Approx. 8.7
Measurement (cft)	Approx. 2.5



NEWLONG INDUSTRIAL CO., LTD.

8-14, Shiratori 4-chome, Katsushika-ku, Tokyo 125-0063, Japan

Tokyo Head Office

PHONE +81-3-3603-2276

FAX +81-3-3603-2253

Mechanical Design Engineering Dept

PHONE +81-3-3603-2252

FAX +81-3-3602-2694

NLI Group Home Page URL/E-mail

URL <http://NLwww.com/>

E-mail info@nlwww.com